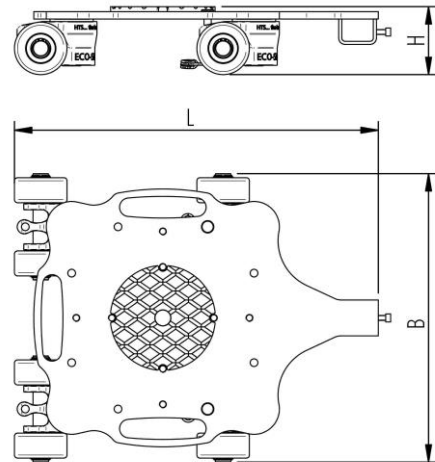


Fact sheet **ECO-Skate** RFN30

ROTO Load moving system, 360 ° rotatable, 3-/4- load points

HTS



Specification:

Heavy-duty load moving system (360°) for the professional indoor heavy load transport on clean, smooth and level floors, incl. individually rotatable high-quality HTS Nylon wheels (abrasion-resistant, non-marking), anti slip rubber pad and attachment for alignment bars or pulling bars in various versions. Multifunctional and flexible due to the ability of block the wheels boxes with pins. It can be used like a fixed rear skates, equipped with an additional turntable like a steerable skate. In combination with an L-, S- or DUO load moving system with the same installation height, it forms a safe overall system with 3 load points (with secured load also as a 4-point system if the operating instructions are observed).

Technical data of load moving system:

# 10 030 09 41	Ø 170 mm	6,0 x 40 = 240 mm ² ▼ 20,8 MPa
MAT NY, 80 Shore D	L x B x H 588 x 467 x 110 mm	19,2 cm ²
3000 daN	D = 1170 mm V = 540 - 1940 mm	100 daN*
# 8	33 kg	80 daN*

Equipped with the following wheel:

# 11 085 11 34	6,0 x 40 = 240 mm ² ▼ 20,8 MPa
MAT NY, 80 Shore D	500 daN
Ø85x43,5 - Ø25 mm	2 V _{max} = 2 km/h



Please always observe the operating instructions, their safety instructions and local conditions!

# Part No.	# Number of wheels	Ø Load Area in mm	Area mm ² of the roller surface pressure ▼ N / mm ²	→ Traction* in daN, required force to move the load at a steady speed of 2 km/h under ideal conditions
MAT Wheel material layer, core: AL Aluminium, NY Nylon PU Polyurethane, ST Steel	Dimensions of wheel, inside ball bearing diameter mm	Dimensions in mm L x B x H	Loaded area per skate in cm ²	
Carrying Capacity of load moving skate in daN at 2km/h max.	Weight kg	Steering bar length D for L, adjustability V for S and DUO skate systems	Starting resistance* in daN, required force to start moving, under ideal conditions	* Varies depending on the tolerances of the floor and ambient situation. All information without guarantee.