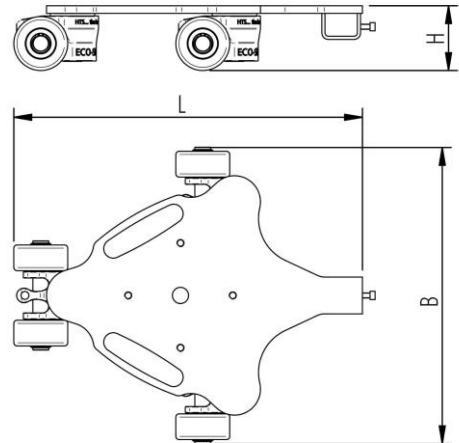


Fact sheet **ECO-Skate** RFN18-G-CR

ROTO Load moving system, 360 ° rotatable, 3-/4- load points

HTS



Specification:

Heavy-duty load moving system (360°) for the professional indoor heavy load transport on clean, smooth and level floors, incl. individually rotatable high-quality HTS Nylon wheels (abrasion-resistant, non-marking), anti slip rubber pad and attachment for alignment bars or pulling bars in various versions. Multifunctional and flexible due to the ability of block the wheels boxes with pins. It can be used like a fixed rear skates, equipped with an additional turntable like a steerable skate. In combination with an L-, S- or DUO load moving system with the same installation height, it forms a safe overall system with 3 load points (with secured load also as a 4-point system if the operating instructions are observed).

Technical data of load moving system:

| | | |
|--------------------|----------------------------------|--|
| # 12 018 09 40 | Ø 170 mm | 6,0 x 40 = 240 mm ² ▼ 20,8 MPa |
| MAT NY, 80 Shore D | L x B x H 550 x 467 x 102 mm | 14,4 cm ² |
| 1800 daN | D = 1170 mm V = 590 - 1940 mm | 75 daN* |
| # 6 | 22 kg | 60 daN* |

Equipped with the following wheel:

| | |
|--------------------|--|
| # 11 085 11 34 | 6,0 x 40 = 240 mm ² ▼ 20,8 MPa |
| MAT NY, 80 Shore D | 500 daN |
| Ø85x43,5 - Ø25 mm | 2 V _{max} = 2 km/h |



Please always observe the operating instructions, their safety instructions and local conditions!

| | | | | |
|--|--|--|---|---|
| # Part No. | # Number of wheels | Ø Load Area in mm | Area mm ² of the roller surface pressure ▼ N / mm ² | → Traction* in daN, required force to move the load at a steady speed of 2 km/h under ideal conditions |
| MAT Wheel material layer, core: AL Aluminium, NY Nylon PU Polyurethane, ST Steel | Dimensions of wheel, inside ball bearing diameter mm | Dimensions in mm L x B x H | Loaded area per skate in cm ² | |
| Carrying Capacity of load moving skate in daN at 2km/h max. | Weight kg | Steering bar length D for L, adjustability V for S and DUO skate systems | Starting resistance* in daN, required force to start moving, under ideal conditions | * Varies depending on the tolerances of the floor and ambient situation. All information without guarantee. |